

## TSF6

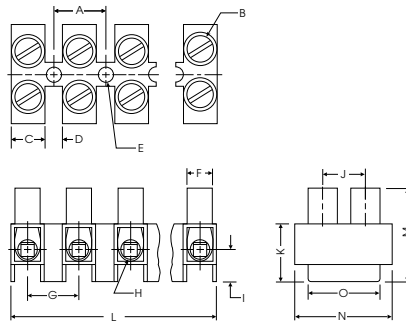
Standoff Feet  
 Pole Spacing 12mm (.472)  
 Mounting Hole Diameter 4.2mm (.165)  
 Stripping Length 7mm (.276)

Wire Range	Current	Voltage
6mm <sup>2</sup>	44A	380V
20-8 AWG	40A	600V
18-10 AWG	40A	600V

Type	Cat. No.	Length (L) mm (in.)	Std. Pk.
TSF6/2wp	40.502	20.0 (.79)	100
TSF6/3wp	40.503	32.0 (1.26)	100
TSF6/4wp	40.504	44.0 (1.73)	100
TSF6/5wp	40.505	56.0 (2.21)	100
TSF6/6wp	40.506	68.0 (2.68)	50
TSF6/7wp	40.507	80.0 (3.15)	50
TSF6/8wp	40.508	92.0 (3.62)	50
TSF6/9wp	40.509	104.0 (4.10)	50
TSF6/10wp	40.510	116.0 (4.57)	25
TSF6/11wp	40.511	128.0 (5.03)	25
TSF6/12wp	40.512	140.0 (5.51)	25
TSF6/2	40.552	20.0 (.79)	100
TSF6/3	40.553	32.0 (1.26)	100
TSF6/4	40.554	44.0 (1.73)	100
TSF6/5	40.555	56.0 (2.21)	100
TSF6/6	40.556	68.0 (2.68)	50
TSF6/7	40.557	80.0 (3.15)	50
TSF6/8	40.558	92.0 (3.62)	50
TSF6/9	40.559	104.0 (4.10)	50
TSF6/10	40.560	116.0 (4.57)	25
TSF6/11	40.561	128.0 (5.03)	25
TSF6/12	40.562	140.0 (5.51)	25

### Dimensions mm (in.)

A = 12.0 (.472)	E = Ø4.4 (.173)	J = 9.6 (.378)
B = M3.5 x 7	F = Ø6.8 (.268)	K = 12.5 (.492)
C = 7.6 (.299)	G = 12.0 (.472)	M = 20.9 (.823)
D = 4.3 (.169)	H = 4.2 (.165)	N = 23.0 (.906)
	I = 8.5 (.335)	O = 15.8 (.622)



## TSF16

Standoff Feet  
 Pole Spacing 15.1mm (.595)  
 Mounting Hole Diameter 4.0mm (.157)  
 Stripping Length 8mm (.315)

Wire Range	Current	Voltage
16mm <sup>2</sup>	82A	660V
14-6 AWG	63A	600V
18-6 AWG	65A	600V

Type	Cat. No.	Length (L) mm (in.)	Std. Pk.
TSF16/2wp	40.702	25.0 (.98)	40
TSF16/3wp	40.703	40.0 (1.58)	40
TSF16/4wp	40.704	55.0 (2.17)	40
TSF16/5wp	40.705	70.5 (2.28)	40
TSF16/6wp	40.706	86.0 (3.39)	20
TSF16/7wp	40.707	101.0 (3.98)	20
TSF16/8wp	40.708	116.0 (4.57)	20
TSF16/9wp	40.709	131.0 (5.16)	10
TSF16/10wp	40.710	146.0 (5.75)	10
TSF16/11wp	40.711	161.0 (6.34)	10
TSF16/12wp	40.712	176.0 (6.93)	10
TSF16/2	40.752	25.0 (.98)	40
TSF16/3	40.753	40.0 (1.58)	40
TSF16/4	40.754	55.0 (2.17)	40
TSF16/5	40.755	70.5 (2.28)	40
TSF16/6	40.756	86.0 (3.39)	20
TSF16/7	40.757	101.0 (3.98)	20
TSF16/8	40.758	116.0 (4.57)	20
TSF16/9	40.759	131.0 (5.16)	10
TSF16/10	40.760	146.0 (5.75)	10
TSF16/11	40.761	161.0 (6.34)	10
TSF16/12	40.762	176.0 (6.93)	10

### Dimensions mm (in.)

A = 15.1 (.595)	E = Ø4.2 (.165)	J = 11.0 (.433)
B = M5 x 8	F = Ø8.0 (.315)	K = 16.5 (.650)
C = 9.6 (.378)	G = 15.1 (.595)	M = 25.8 (1.017)
D = 5.4 (.213)	H = Ø6.0 (.236)	N = 26.3 (1.035)
	I = 10.4 (.410)	O = 15.1 (.595)